

HYUNDAI

DM01



INDUSTRIAL

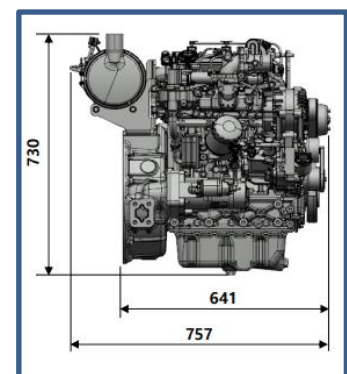
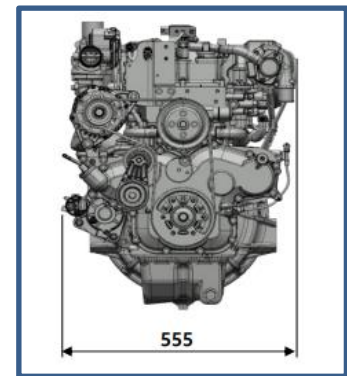
Power Rating

Max. Power kW (HP) / rpm	Max. Torque Nm (lb-ft) / rpm	After Treatment System
45.0(60.4) / 2600	225(22.9) / 1800	DOC
41.0(55.0) / 2500 41.0(55.0) / 2200	190(19.4) / 1600	
36.7(49.2) / 2500	180(18.4) / 1600	
31.3(42.0) / 2200	155(15.8) / 1600	
24.6(33.0) / 2400	110(11.2) / 1600	



Engine Specifications

Engine Model	DM01
Cylinders and Arrangement	In-line type, 3-cylinder
Valve System Type	Over head valve
Bore x Stroke	90 x 94 mm
Displacement	1.8 liter
Compression Ratio	17 : 1
Rotation	Counterclockwise viewed from Flywheel
Firing Order	1-2-3
Fuel System	Common rail Direct injection controlled by ECU
Aspiration	Turbo charger & Intercooler
After Treatment System	DOC only
Water Flow	100 liter/min @ 2600 rpm (60HP) 97 liter/min @ 2500 rpm (55HP) 97 liter/min @ 2500 rpm (49.2HP) 85 liter/min @ 2200 rpm (42HP) 93 liter/min @ 2400 rpm (33HP)
Cooling Method	Fresh water forced circulation
Dimension (L x W x H)	757 x 555 x 730 mm
Dry Weight	220 kg (with After Treatment)



Key Features and Benefit

Compact

Designed to be mounted on a wide variety of small-sized equipment

Economical

Meet customers' expectation about reliability, quality and efficiency

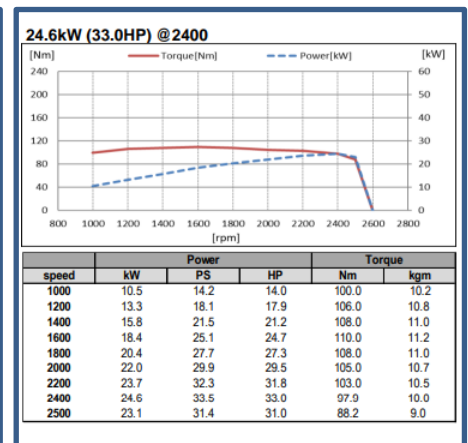
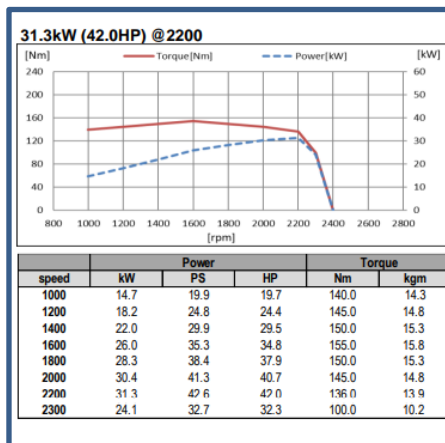
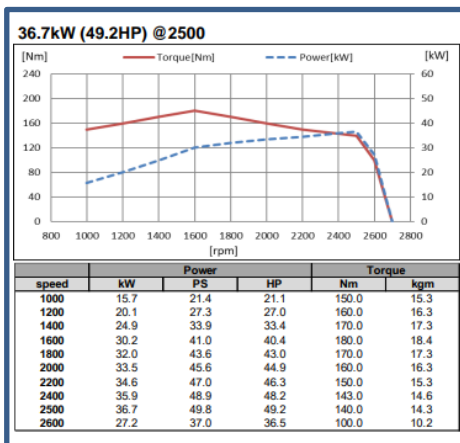
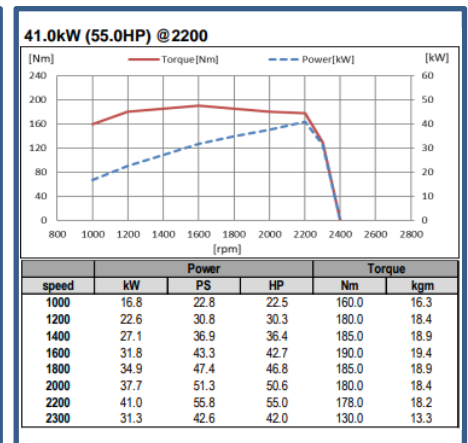
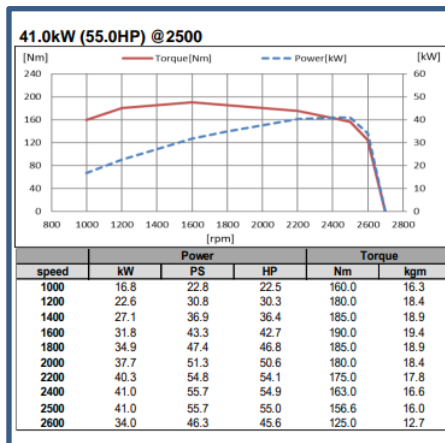
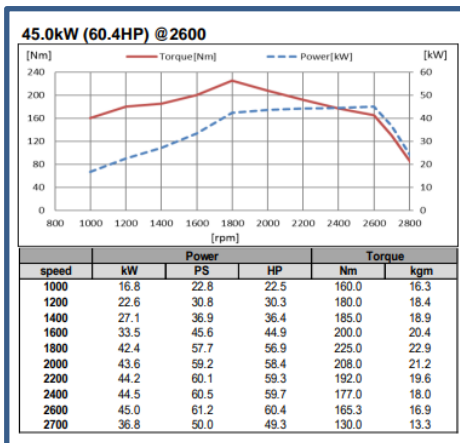
High Performance

A high output and a high/low torque and keep working well even in harsh conditions

Convenient

Compact size, flexible post-treatment system, and handiness in mounting

Performance Curve



※ Specifications are subject to change without prior notice.