

HYUNDAI

DM02



INDUSTRIAL

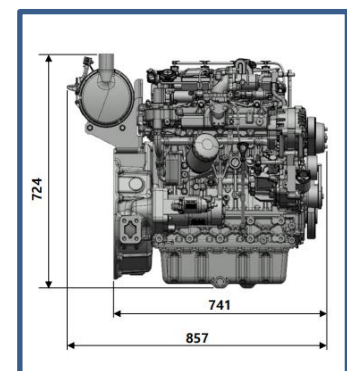
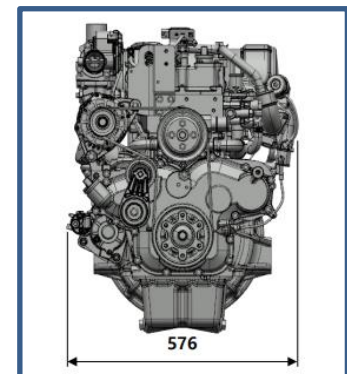
Power Rating

Max. Power kW (HP) / rpm	Max. Torque Nm (lb-ft) / rpm	After Treatment System
55.2(74.0) / 2600	280(28.6) / 1600	DOC
50.3(68.0) / 2600	252(25.7) / 1800	
41.0(55.0) / 2600	204(20.8) / 1800	
36.6(49.0) / 2600	182(18.6) / 1800	



Engine Specifications

Engine Model	DM02
Cylinders and Arrangement	In-line type, 4-cylinder
Valve System Type	Over head valve
Bore x Stroke	90 x 94 mm
Displacement	2.4 liter
Compression Ratio	17 : 1
Rotation	Counterclockwise viewed from Flywheel
Firing Order	1-3-4-2
Fuel System	Common rail Direct injection controlled by ECU
Aspiration	Turbo charger & Intercooler
After Treatment System	DOC only
Water Flow	122 liter/min @ 2600 rpm (74HP) 122 liter/min @ 2600 rpm (68HP) 122 liter/min @ 2600 rpm (55HP) 122 liter/min @ 2600 rpm (49HP)
Cooling Method	Fresh water forced circulation
Dimension (L x W x H)	857 x 576 x 724 mm
Dry Weight	250 kg (with After Treatment)



Key Features and Benefit

Compact

Designed to be mounted on a wide variety of small-sized equipment

Economical

Meet customers' expectation about reliability, quality and efficiency

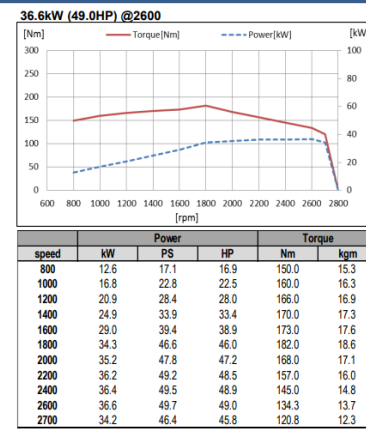
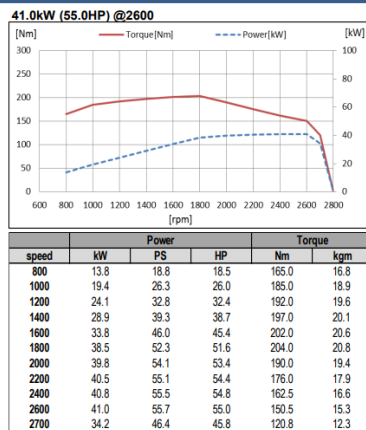
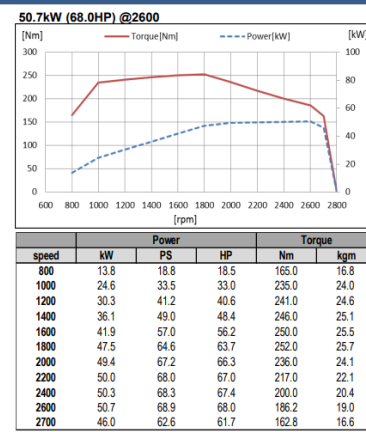
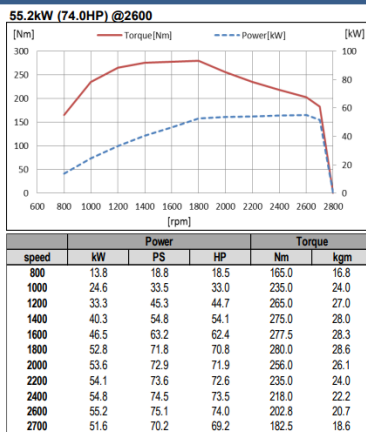
High Performance

A high output and a high/low torque and keep working well even in harsh conditions

Convenient

Compact size, flexible post-treatment system, and handiness in mounting

Performance Curve



※ Specifications are subject to change without prior notice.