

# HYUNDAI



# DM03<sub>No-SCR</sub>



INDUSTRIAL

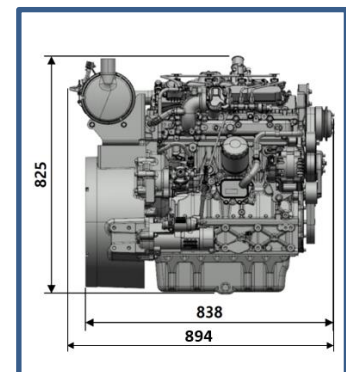
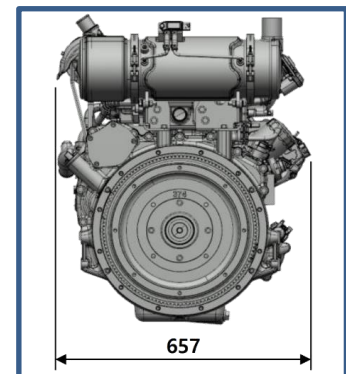
## Power Rating

Max. Power kW (HP) / rpm	Max. Torque Nm (lb-ft) / rpm	After Treatment System
55.3 (74.3) / 2600	360 (265.5) / 1200	EGR+DOC+DPF



## Engine Specifications

Engine Model	DM03
Cylinders and Arrangement	In-line type, 4-cylinder
Valve System Type	Over head valve
Bore x Stroke	98 x 113 mm
Displacement	3.4 liter
Compression Ratio	18 : 1
Rotation	Counterclockwise viewed from Flywheel
Firing Order	1-3-4-2
Fuel System	Common rail Direct injection controlled by ECU
Aspiration	Turbo charger & Intercooler
After Treatment System	DOC + DPF
Water Flow	137 liter/min @ 2600 rpm
Cooling Method	Fresh water forced circulation
Dimension (L x W x H)	894 x 657 x 825 mm
Dry Weight	390 kg (with After Treatment)



## Key Features and Benefit

### Compact

Designed to be mounted on a wide variety of small-sized equipment

### Economical

Meet customers' expectation about reliability, quality and efficiency

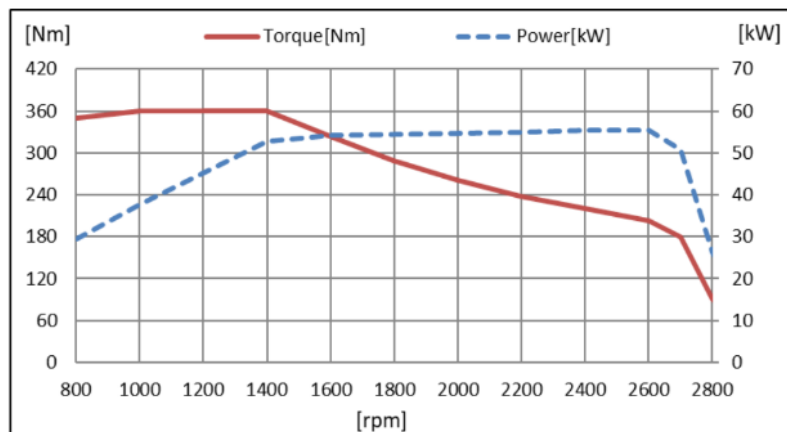
### High Performance

A high output and a high/low torque and keep working well even in harsh conditions

### Convenient

Compact size, flexible post-treatment system, and handiness in mounting

## Performance Curve



Speed rpm	Power			Torque	
	kW	PS	HP	Nm	kgm
800	29.3	39.9	39.3	350.0	35.7
1000	37.7	51.3	50.6	360.0	36.7
1200	45.2	61.5	60.7	360.0	36.7
1400	52.8	71.8	70.8	360.0	36.7
1600	54.1	73.6	72.6	323.0	33.0
1800	54.5	74.1	73.1	289.3	29.5
2000	54.7	74.3	73.3	261.0	26.6
2200	54.8	74.5	73.5	238.0	24.3
2400	55.3	75.2	74.1	220.0	22.4
2600	55.4	75.3	74.3	203.5	20.8
2800	26.4	35.9	35.4	90.0	9.2

※ Specifications are subject to change without prior notice.