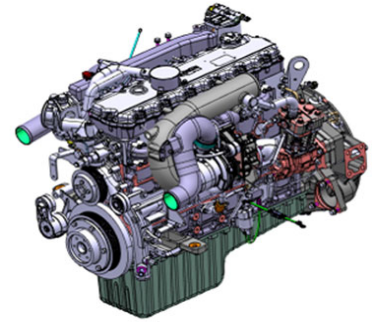


© Production Tolerance : ±5%

Intermittent rating kW(HP) / rpm	Max. torque N.m(kg.m) / rpm	Aftertreatment
206 (280) / 2500	980 (100) / 1400	SCR
199 (270) / 2500	863 (88) / 1400	



© General Specification

○ Engine Model	DL06K
○ Engine Type	In-Line, 4 Cycle, Water Cooled Thrbcharged & Intercooled
○ Injection System	Electronic Common Rail
○ Cylinder Type	Replaceable dry liner
○ Number of Cylinders	6
○ Bore x stroke	100 x 125 mm
○ Displacement	5.9 L
○ Compression ratio	17.4 : 1
○ Firing order	1-5-3-6-2-4
○ Dry weight	606 kg (Engine only)
○ Dimension	1106 x 973 x 827 mm
○ Rotation	CCW viewed from Flywheel
○ Breather System	OCV / Mesh + Impactor (Single)
○ No Load Max Engine Speed	2,725 +/- 25rpm
○ No Load Min Engine Speed	600 +/- 25rpm
○ Flywheel Housing	SAE2
○ Flywheel Size	17 inch Pull
○ Turbocharger	Waste Gate Valve
○ Air Compressor Capacity	305cc/rev (Single)

© Valve System

○ Type	Over Head Valve
○ Number of Valve	Intake 2, Exhaust 2 per Cylinder
○ Valve Lashes at Cold	Intake 0.3 mm Exhaust 0.4 mm

© Fuel System

○ Injection pump	BOSCH CP3.3
○ Governor	E.C.U
○ Feed pump	GEAR TYPE
○ Injection nozzle	Multi hole Type
○ Fuel filter	Full flow, Cartridge Type
○ Used fuel	Diesel fuel oil

© Lubrication System

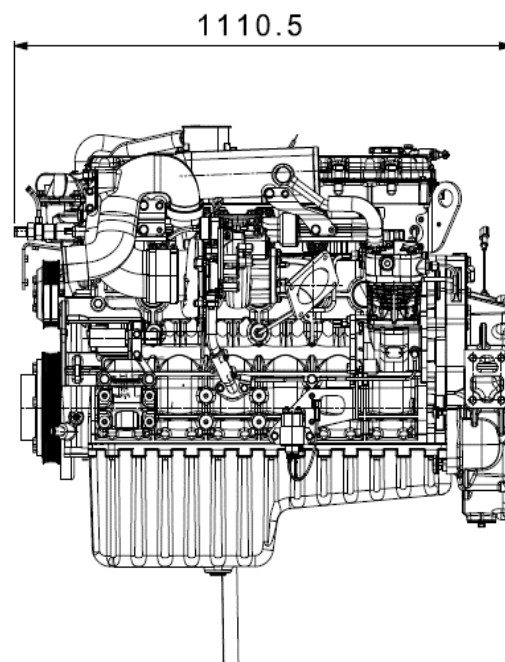
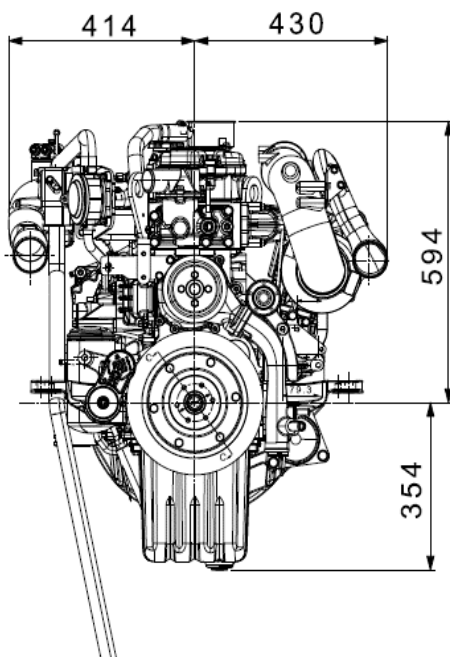
○ Lub. Method	Fully forced pressure feed Type
○ Oil pump	Gear Type driven by crankshaft
○ Oil filter	Full flow, Cartridge Type
○ Oil pan capacity	High level 22 liters Low level 17 liters
○ Lub. Oil	API CJ-4 Grade, 10W30 or 10W40

© Cooling System

○ Cooling method	Fresh water forced circulation
○ Water capacity	11.5 liters (Engine only)
○ Water pump Capacity	350 liters/min at 3,000rpm
○ Thermostat	Wax – Pellet Type

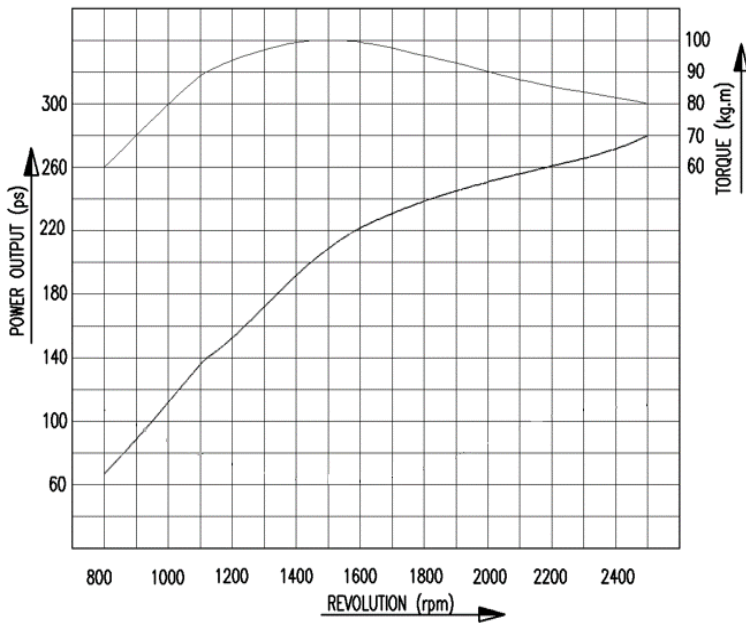
© Electrical System

○ Alternator	N/A (Vehicle Parts)
○ Starting motor	24V x 4.5kW
○ Battery Voltage	24V
○ Battery Capacity	150AH x 2ea (recommended)

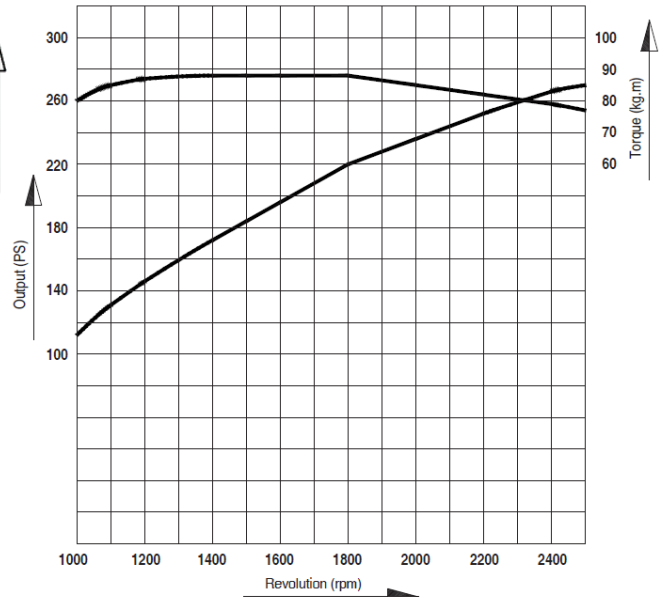


◎ Performance Curve

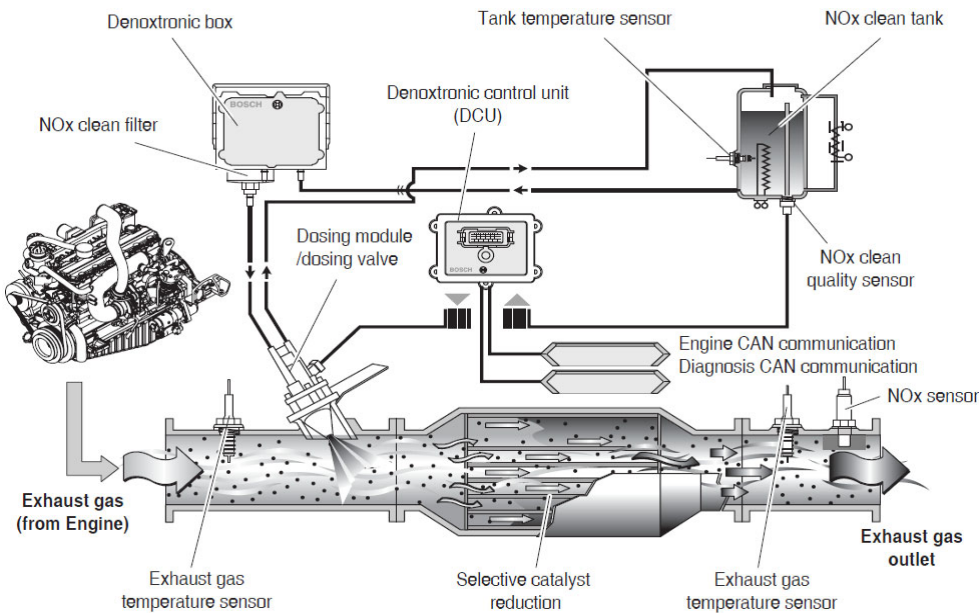
○ 206kW (280PS) / 100kg.m



○ 199kW (270PS) / 88kg.m



◎ Aftertreatment System



Head office

HD Hyundai Group's Global R&D Center 477,
Bundangsuseo-ro, Seongnam-si Gyeonggi-do,
Korea (13553)

Sales office (Engine)

11F, HD Hyundai Group's Global R&D Center

※ Specifications are subject to change without prior notice